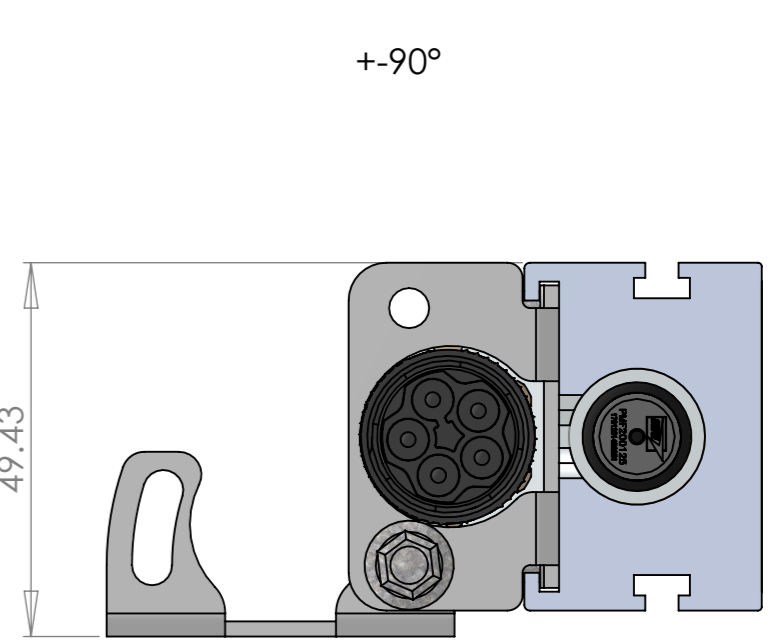
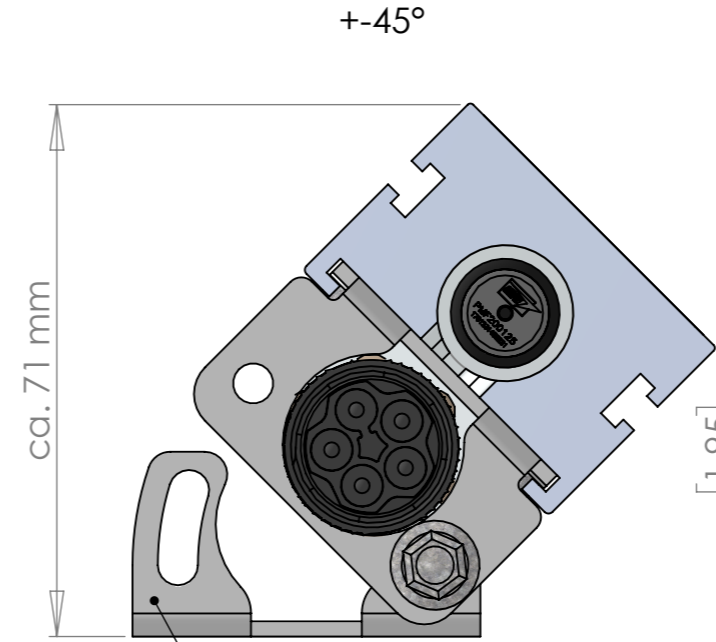
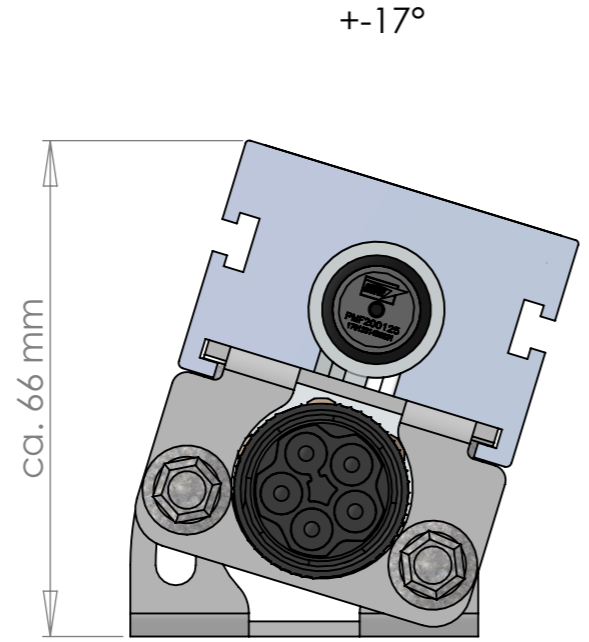
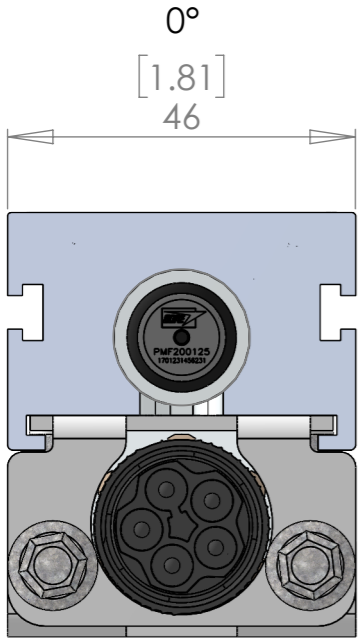


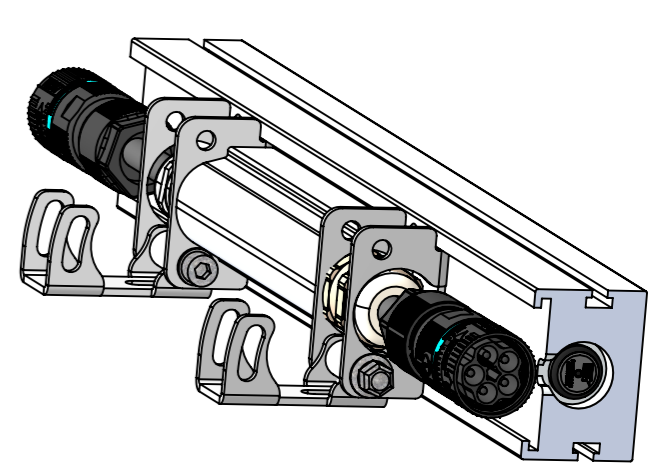
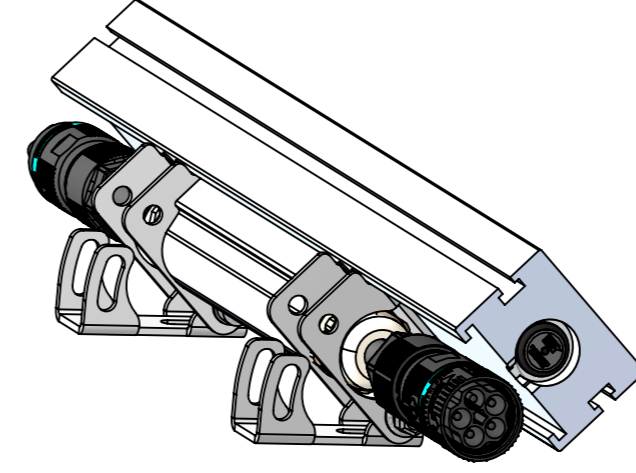
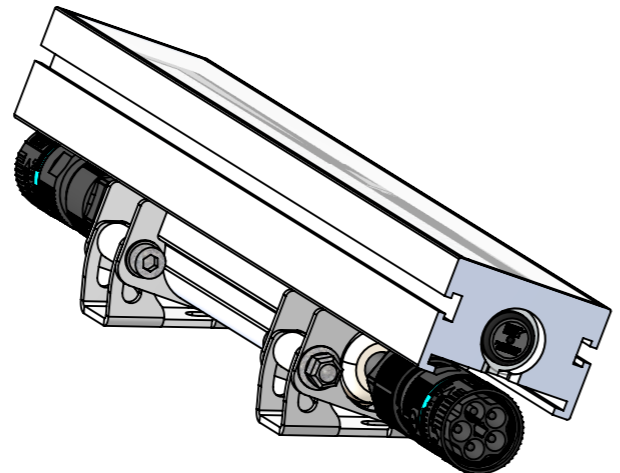
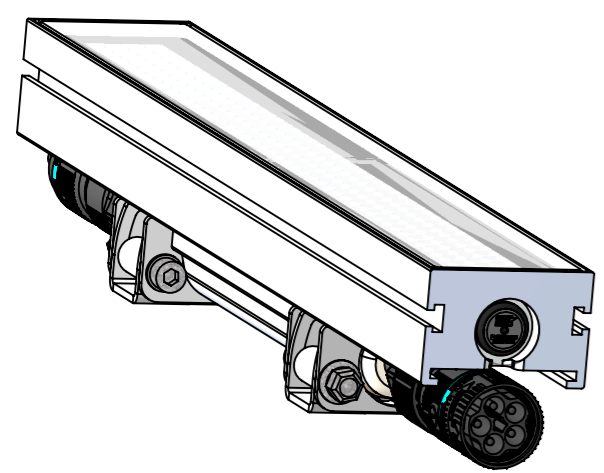
8 7 6 5 4 3 2 1

F
E
D
C
B
A



By rotating the hinge base the luminaire can be tilted +90°.

Durch Drehen der Scharniergrundplatte kann die Leuchte um + -90 ° geneigt werden.



8 7 6 5 4 3 2 1



Lindberghstrasse 15
86343 Königsbrunn

Tel.: +49 8231 95787 0
info@biontechnologies.com
www.biontechnologies.com

Description	Universal mounting bracket
Date/Revision	09.03.2020/02
Scale	1:1

Dimensions are in millimeters [inch]
All product specifications are subject to change without prior notice.

NOTE: All copyrights, trademarks, patents and other rights in connection herewith are expressly reserved to BION TECHNOLOGIES GMBH and no license is created or granted hereby.

F
E
D
C
B
A