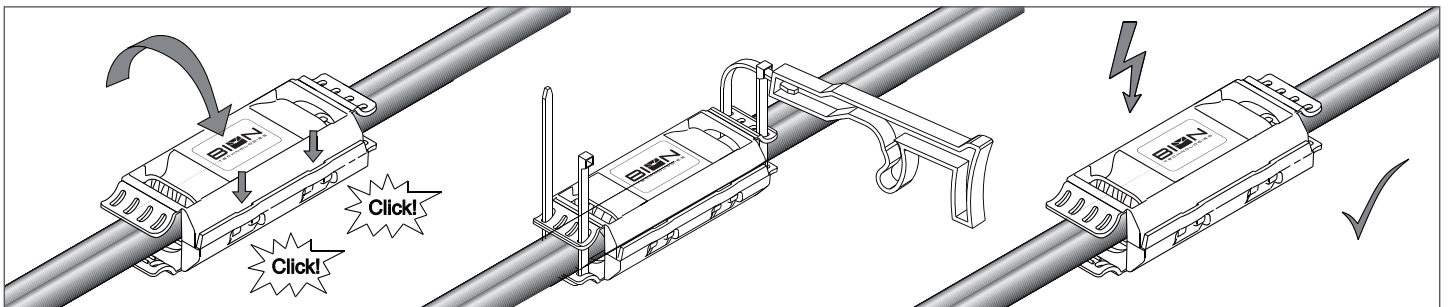
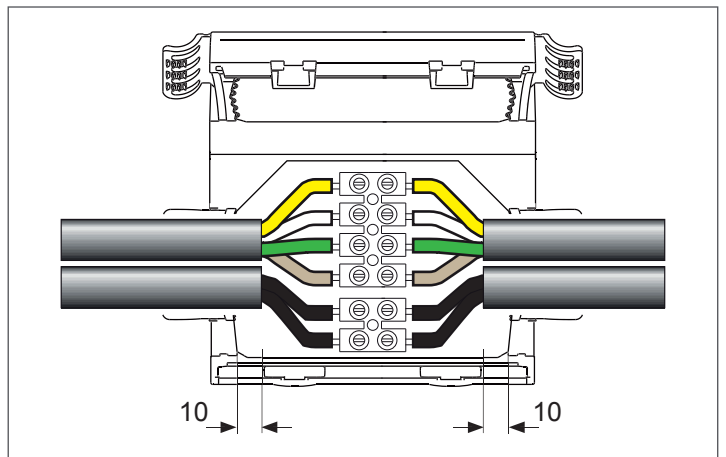
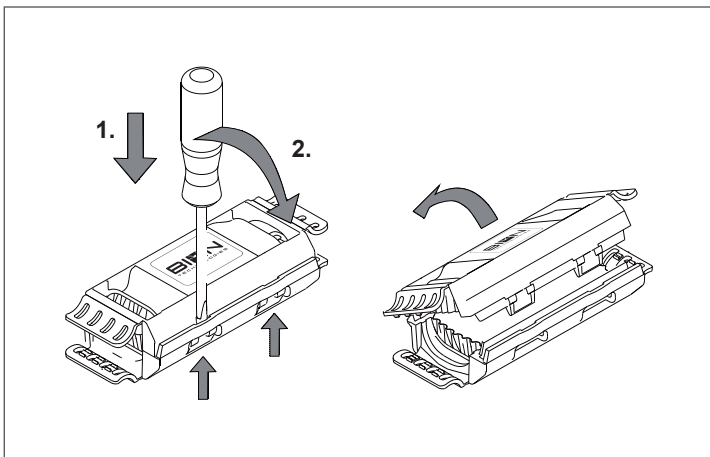
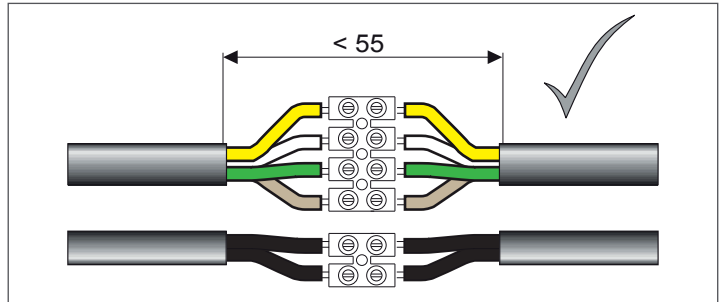
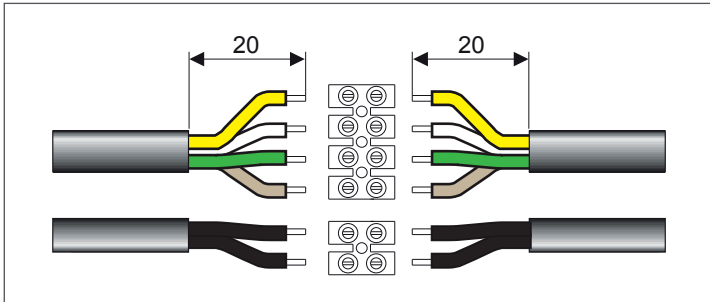
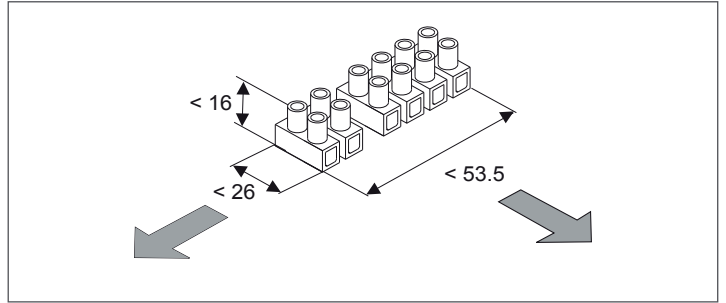
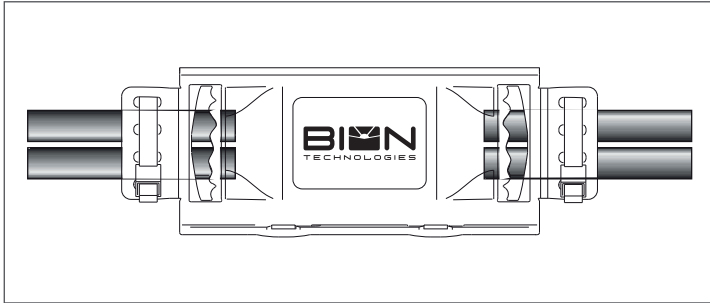




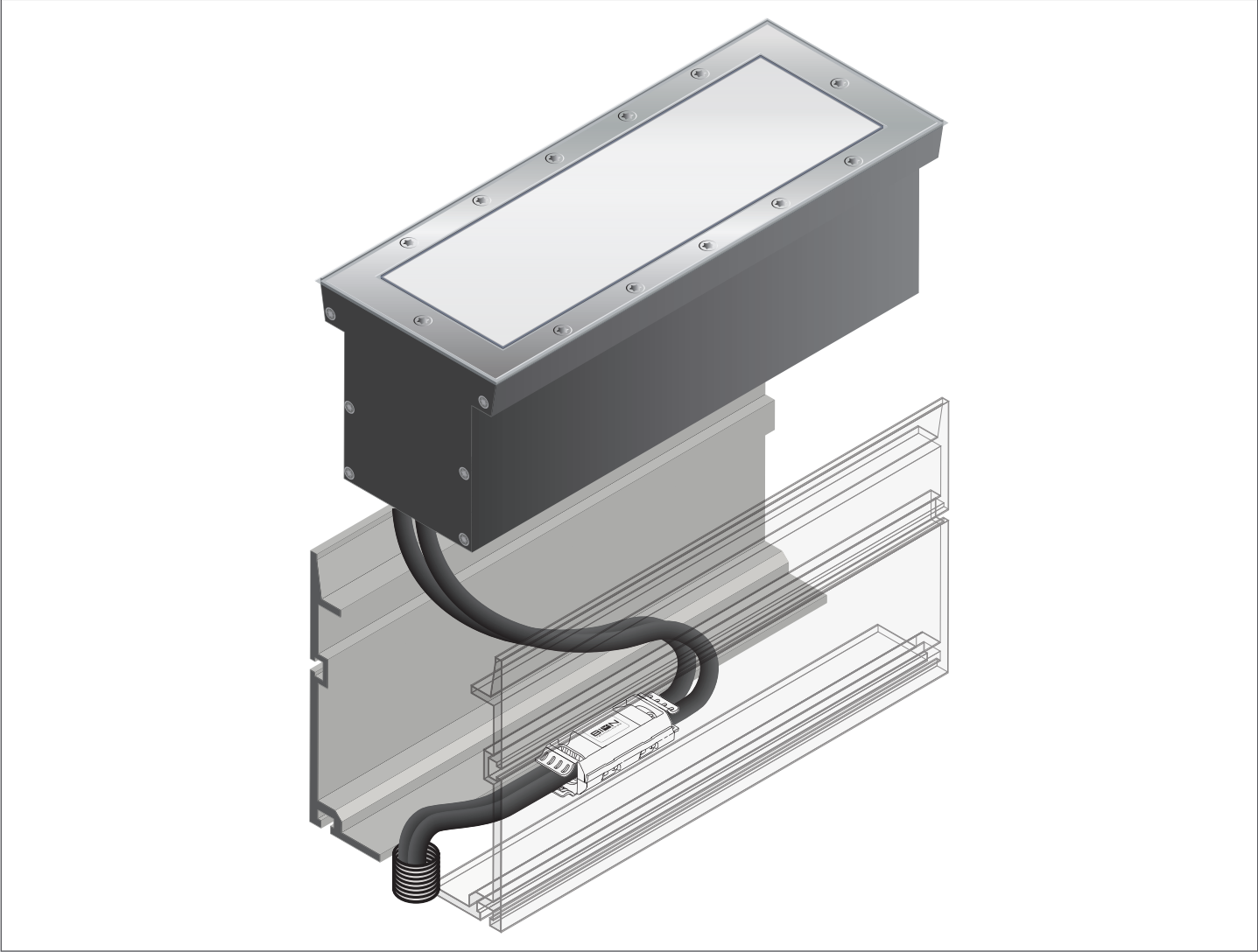
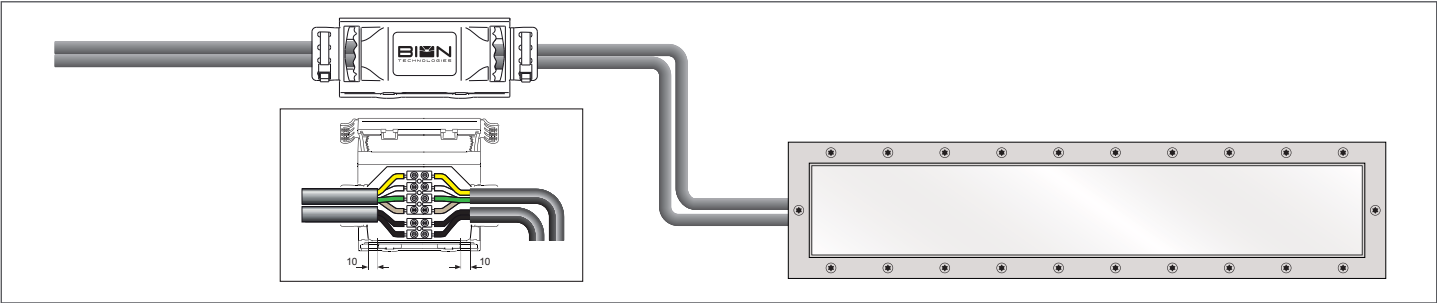
Gel-filled Cable Joints

Gel-filled cable joints

1 GENERAL ASSEMBLY

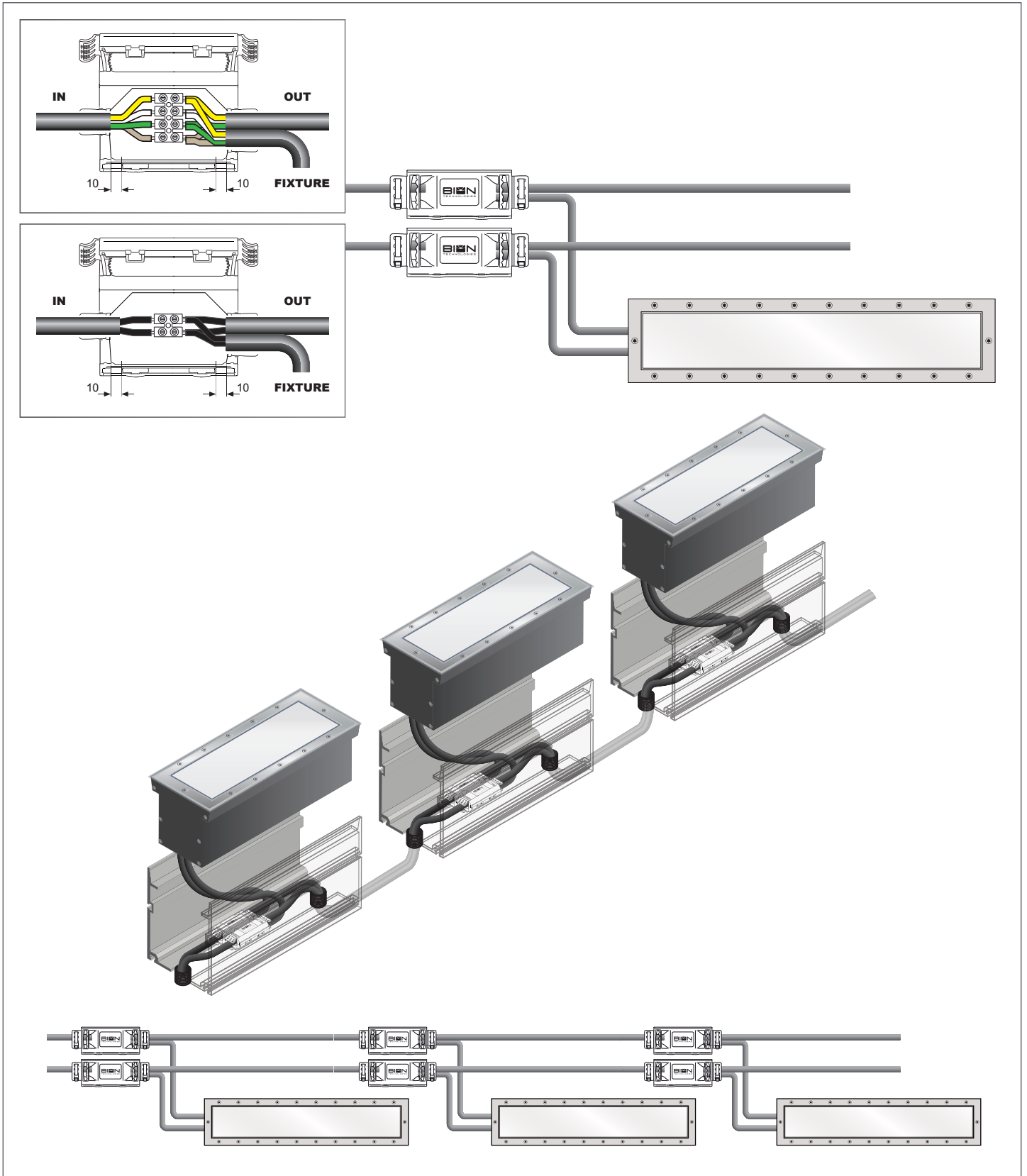


2 WIRING OF SINGLE FIXTURE / STAR SHAPED WIRING



Gel-filled cable joints

3 WIRING OF MULTIPLE FIXTURES / DAISY CHAINING



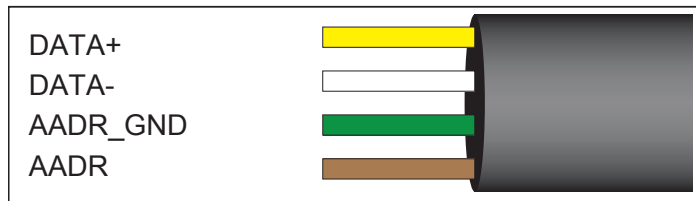
4 GENERAL WIRING

For every wiring a protective tube is necessary. Reassure that all wiring is suitable for its mounting position. Prevent waterlogging.

- Use at least AWG 14 to connect the Power cable of the fixtures
- Use at least AWG 26 to connect the Data cable of the fixtures

Please refer to local standards of electrical installation.

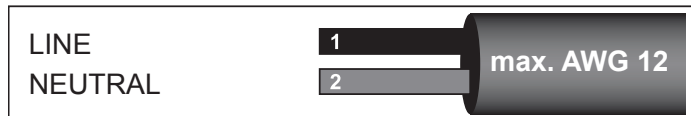
Data Cable



Power Cable (CE)



Power Cable (cETLus)





Lindberghstraße 15
86343 Königsbrunn

Tel: +49 (0)8231/95787-0
Fax: +49 (0)8231/95787-29

Web: www.biontechnologies.com
Email: info@biontechnologies.com