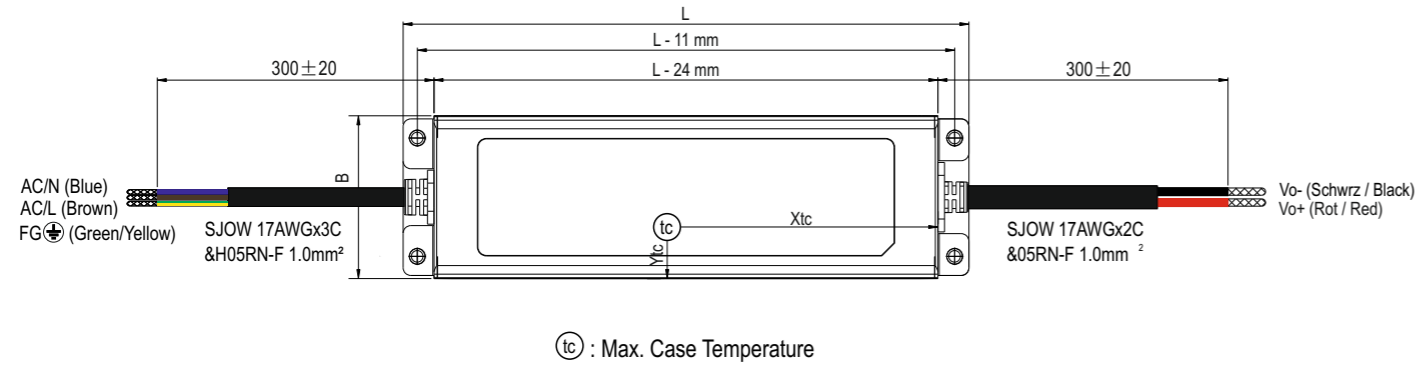
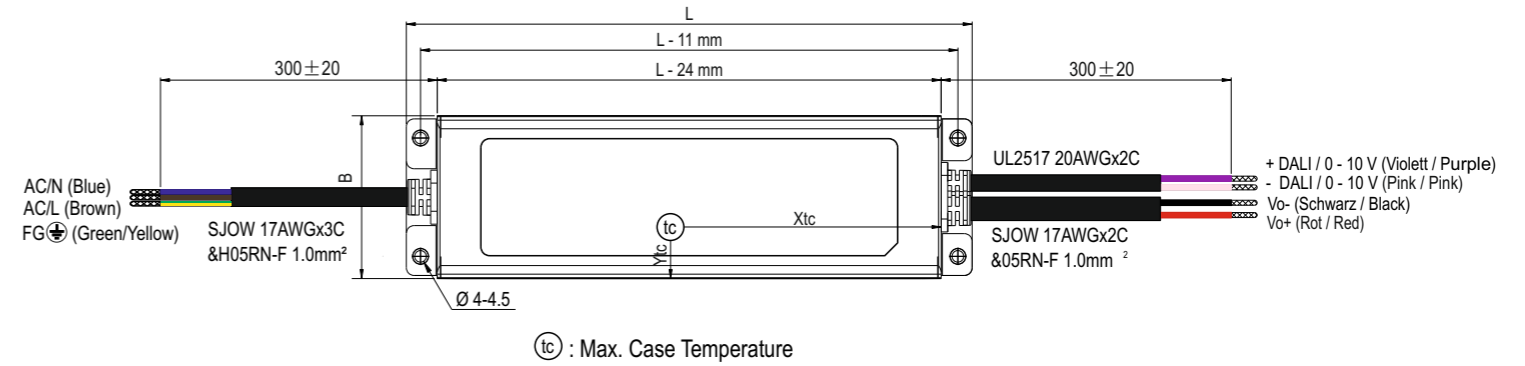


nDIM



DIM



	L	B	H	Xtc	Ytc
DD-PS-___-75W-___Y01	180 mm	63 mm	35,5 mm	85 mm	20 mm
DD-PS-___-100W-___Y01	199 mm	63 mm	35,5 mm	105 mm	20 mm
DD-PS-___-150W-___Y01	219 mm	63 mm	35,5 mm	105 mm	20 mm
DD-PS-___-200W-___Y01	244 mm	71 mm	37,5 mm	90 mm	32 mm
DD-PS-___-240W-___Y01	244 mm	71 mm	37,5 mm	90 mm	32 mm

NOTE: All copyrights, trademarks, patents and other rights in connection herewith are expressly reserved to the company Bion Technologies GmbH and no license is created hereby.



Lindberghstr. 15, 86343 Königsbrunn
Tel: +49 8231 95787 0
info@biontechnologies.com

Project:	
Location:	
Fixture Type:	Netzteil DD Serie / Power Supply DD Series
Scale	-
Date/Revision/by	20220908/01/BT