

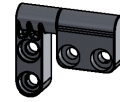
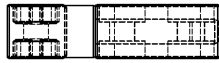
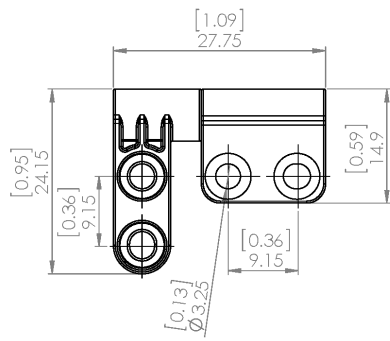


tantulus Friktionsscharnier

3

TECHNISCHES DATENBLATT

Technische Zeichnung



Description	Friktionsscharnier Positioning Hinge	Page size A4
Revision		Page 1/1

Dimensions are in millimeters [inch]
All product specifications are subject to change without prior notice.



Lindberghstrasse 15
86343 Koenigsbrunn
Tel: +49 (0)8231/95787-0
Fax: +49 (0)8231/95787-29
www.biontechnologies.com
info@biontechnologies.com

YouTube: <http://www.youtube.com/BIONTECHNOLOGIES>

© 2013, BION TECHNOLOGIS is a brand of ONELED.DE GMBH
All rights reserved / Subject to change / Specifications may change without notice