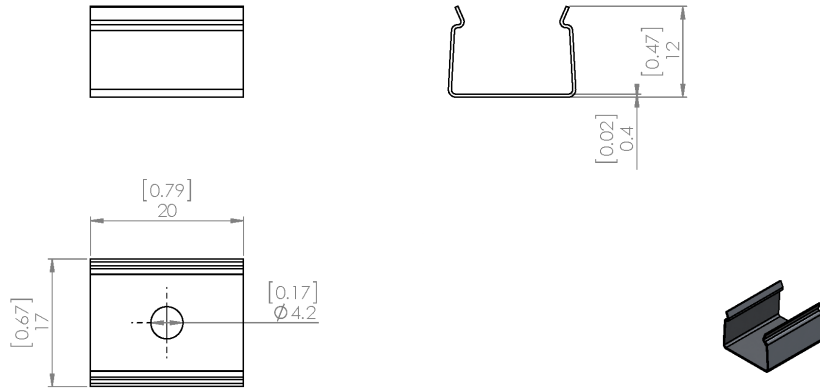


tantulus 3 Halteklammer 0°

TECHNISCHES DATENBLATT

Technische Zeichnung



Dimensions are in millimeters [inch]
All product specifications are subject to change without prior notice.

BION
TECHNOLOGIES

Description
Halteklammer 0°
Bracket 0°

Revision

Scale

Page size
A4

Page
3/3



Lindberghstrasse 15
86343 Koenigsbrunn
Tel: +49 (0)8231/95787-0
Fax: +49 (0)8231/95787-29
www.biontechnologies.com
info@biontechnologies.com

YouTube: <http://www.youtube.com/BIONTECHNOLOGIES>

© 2013, BION TECHNOLOGIS is a brand of ONELED.DE GMBH
All rights reserved / Subject to change / Specifications may change without notice