



wall mount arm

TECHNICAL DATASHEET

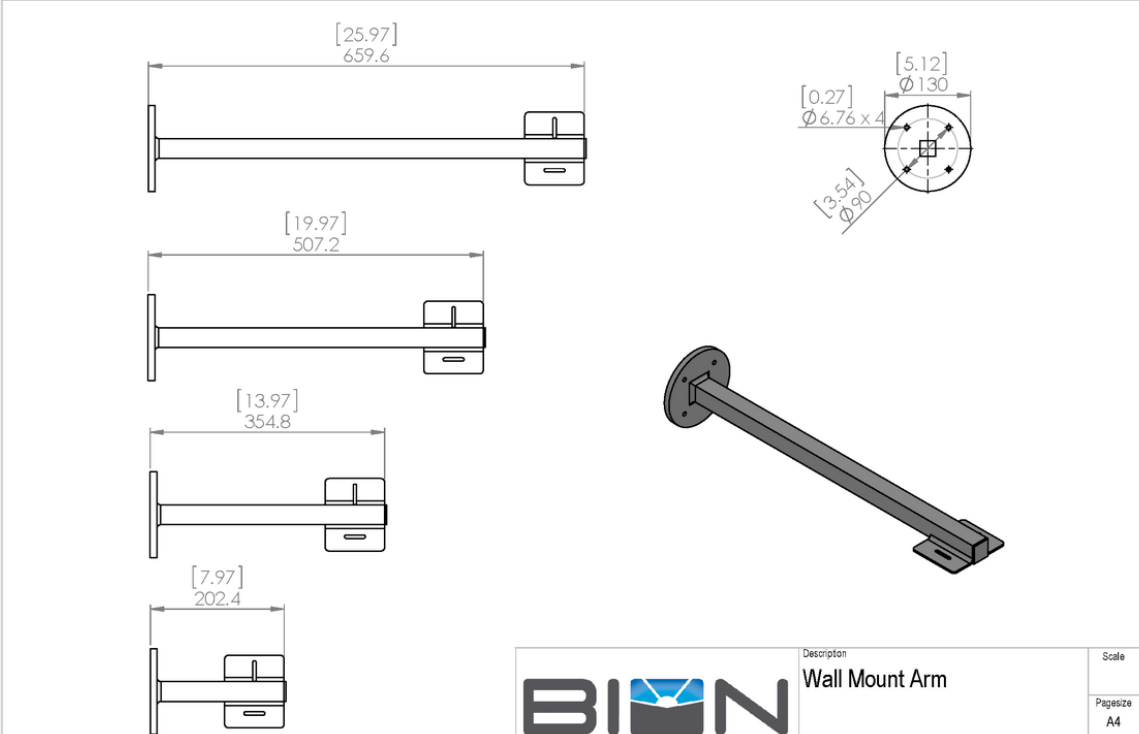
wall mount arm

Technical Data


Standard Unit Lengths 202 mm, 355 mm, 507 mm, 660 mm
 7.96 in, 13.98 in, 19.97 in, 25.99 in

Housing Color(s)  
 White powder coated Black powder coated

Engineering Drawing



Dimensions are in millimeters (inch)
 All product specifications are subject to change without prior notice.

	Description	Scale
	Wall Mount Arm	Pagesize A4
	Revision	Page

Project	Fixture#	Date
		Firm



Ordering Information

Choose the option that suits your needs and write its corresponding code on the appropriate line to form the product code.

WSA- _____ - _____ - Y01
 FIXTURE LENGTH HOUSING COLOR

FIXTURE LENGTH	
1/202	202 mm / 7.95 in
1/355	355 mm / 13.98 in
1/507	507 mm / 19.96 in
1/660	660 mm / 25.98 in

HOUSING COLOR	
WH	White powdercoated
BL	Black powdercoated

Sample Order Code: WSA-1/507-BL-Y01

* Project-specific options are available - Please contact our Sales Representative for further information.



Lindberghstrasse 15
86343 Koenigsbrunn
Tel: +49 (0)8231/95787-0
Fax: +49 (0)8231/95787-29
www.biontechnologies.com
info@biontechnologies.com

YouTube: <http://www.youtube.com/user/BIONTECHNOLOGIES>

© 2023, BION TECHNOLOGIS GMBH
All rights reserved / Subject to change / Specifications may change without notice