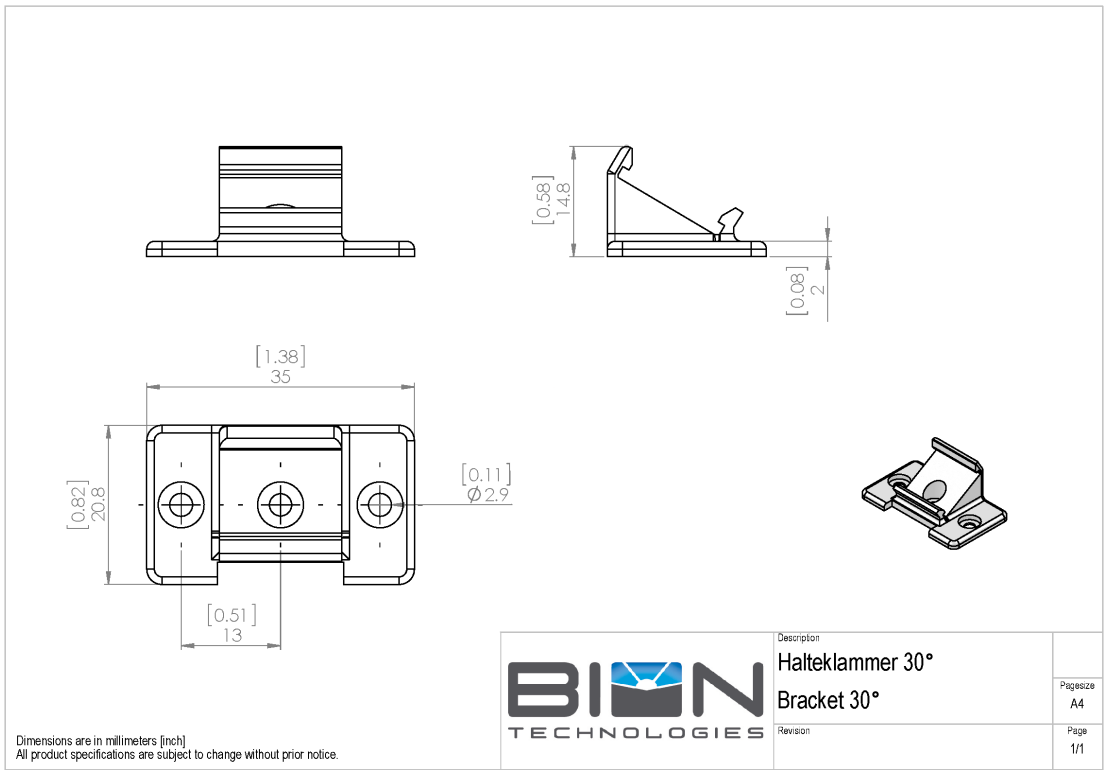


# tantulus 3 Bracket 30°

TECHNICAL DATASHEET

# Engineering Drawing



Description	Halteklammer 30° Bracket 30°	Page size	A4
Revision		Page	1/1



Lindberghstrasse 15  
86343 Koenigsbrunn  
Tel: +49 (0)8231/95787-0  
Fax: +49 (0)8231/95787-29  
[www.biontechnologies.com](http://www.biontechnologies.com)  
[info@biontechnologies.com](mailto:info@biontechnologies.com)

YouTube: <http://www.youtube.com/BIONTECHNOLOGIES>

© 2013, BION TECHNOLOGIS is a brand of ONELED.DE GMBH  
All rights reserved / Subject to change / Specifications may change without notice