

# DALI-DMX converter

TECHNICAL DATASHEET

# DALI-DMX converter

## Technical Data

Dimensions 220 mm x 121 mm x 55 mm [L x W x H]  
8.66 in x 4.76 in x 2.17 in [L x W x H]

Control DALI

Input Voltage Power supply: internal |

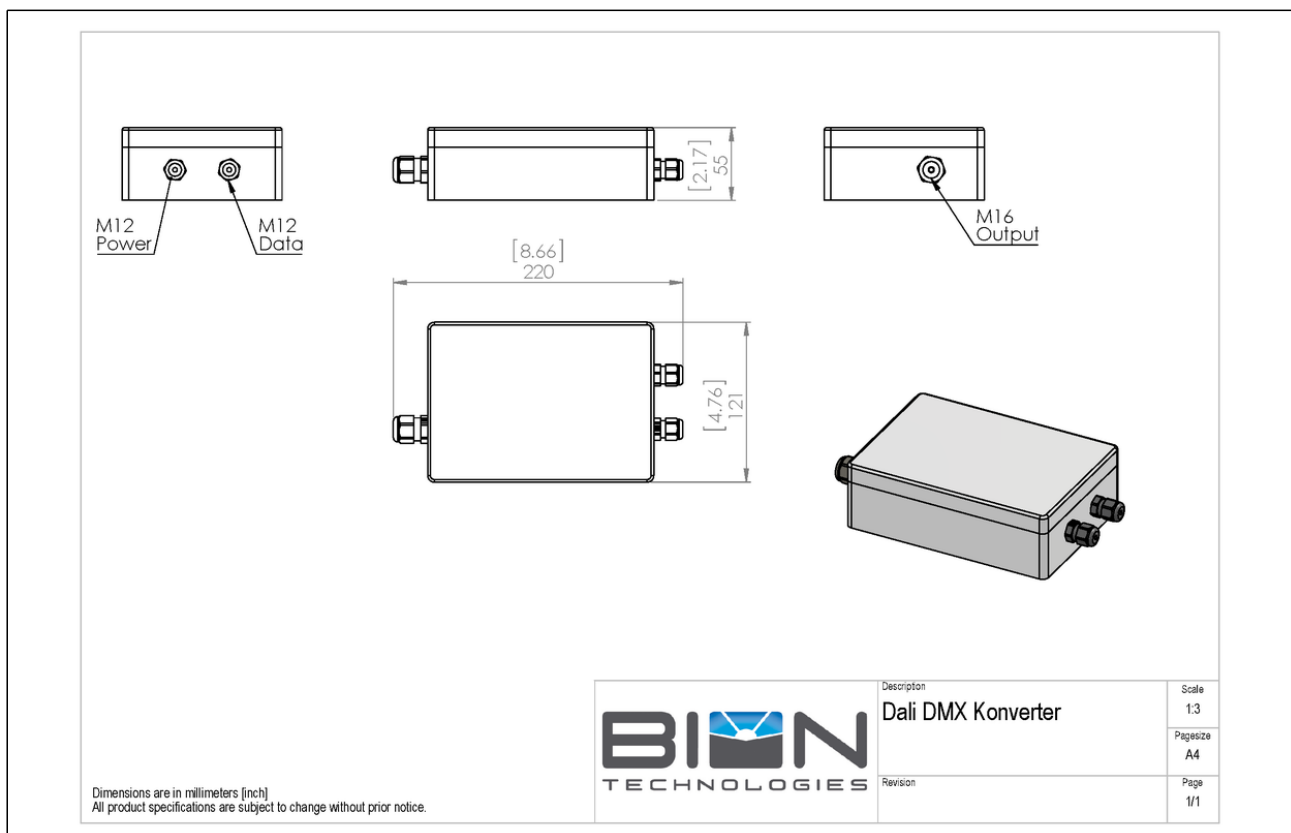
Protection Class II

Housing Polycarbonate

Ingress Protection IP65

Certification 

## Engineering Drawing





Lindberghstrasse 15  
86343 Koenigsbrunn  
Tel: +49 (0)8231/95787-0  
Fax: +49 (0)8231/95787-29  
[www.biontechnologies.com](http://www.biontechnologies.com)  
[info@biontechnologies.com](mailto:info@biontechnologies.com)

YouTube: <http://www.youtube.com/user/BIONTECHNOLOGIES>